

TRINITY QR

WC 1	HAR160	I/O 2 TTL Sync In
WC 2	HAR161	I/O 1 TTL Sync In
WC 3	HAR162	I/O 3 TTL Sync In
WC 4	HAR163	MADI-HD 2 WORD CLOCK IN
WC 5	HAR164	SYSTEM-ROUTER 3 TTL SYNC
WC 6	WC2002	PROTOOLS 2 SYNC I/O
AES-EBU 1	HAR166	I/O 2 AES Sync In
AES-EBU 2	HAR167	I/O 3 AES Sync In

WC 1	WC110	PANEL 1
WC 2	WC210	PANEL 2
WC 3	WC310	PANEL 3
WC 4	WC410	PANEL 4
AES-EBU		

WC 1	WC510	PANEL 5
WC 2	WC610	PANEL 6
WC 3	WC710	PANEL 7
WC 4	WC810	PANEL 8
AES-EBU		

NTSC 1
SY3011



TRINITY ANNEX

SY3012

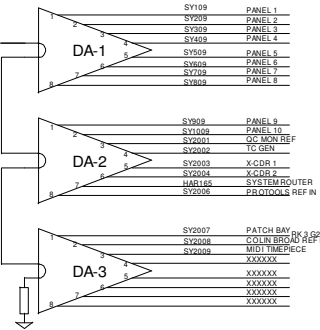
WC 1	HAR130	X-ROUTER 1 TTL SYNC
WC 2	HAR131	X-ROUTER 2 TTL SYNC
WC 3	HAR133	I/O 4 TTL Sync In
WC 4	HAR134	X-ROUTER 3 TTL SYNC
WC 5	HAR128	I/O 5 TTL (ANALOG) Sync In
WC 6	HAR129	MADI HD 1 WC IN
AES-EBU 1		
AES-EBU 2		

WC 1	WC2001	PROTOOLS 1 SYNC I/O
WC 2	WC2101	PANEL 21
WC 3	WC2501	PANEL 25
WC 4	WC2601	PANEL 26
AES-EBU		

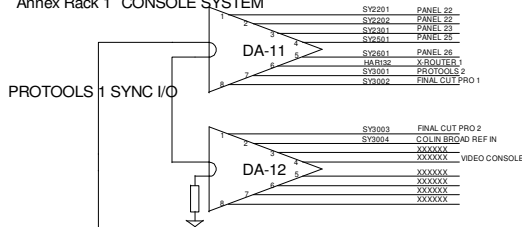
WC 1	WC910	PANEL 9
WC 2	WC1010	PANEL 10
WC 3	WC2003	SPARE TO QR
WC 4	WC2004	SPARE TO QR
AES-EBU		

NTSC 1

QR RACK 1 STANDALONE SYSTEM
CR STANDALONE SYSTEM
CR STANDALONE SYSTEM
QR RACK 2 STANDALONE SYSTEM
QR RACK 1 STANDALONE SYSTEM
QR RACK 1 STANDALONE SYSTEM



Annex Rack 1 CONSOLE SYSTEM
Annex Rack 2 CONSOLE SYSTEM
Annex Rack 1 CONSOLE SYSTEM
Annex Rack 1 CONSOLE SYSTEM



2/18/11
Added wc2004
Changed I/O 2 and 3 Ref from WC to AES
HAR 160, 162 DWGs 3A, 11, WL
6/16
Changed SY2602 to SY2601
7/4/11
Changed HAR 160, 162 back to WC
Moved HAR128 from WC-3 to WC-5
Added HAR166, HAR167. AES Ref for I/O 2 and 3
Added HAR133 X-Router 3 TTL Sync
Added HAR134 I/O 4 TTL Sync
Moved HAR128 and 129 from WC 3 and 4 to WC 5 and 6
Added WC2001 Protocols 1 Sync I/O WC in
Added WC2101 Panle 21 WC
Moved WC2501, WC2601 from WC 2,3 to WC 3,4
Move WC2003 from B3 to C3
Added wc2004