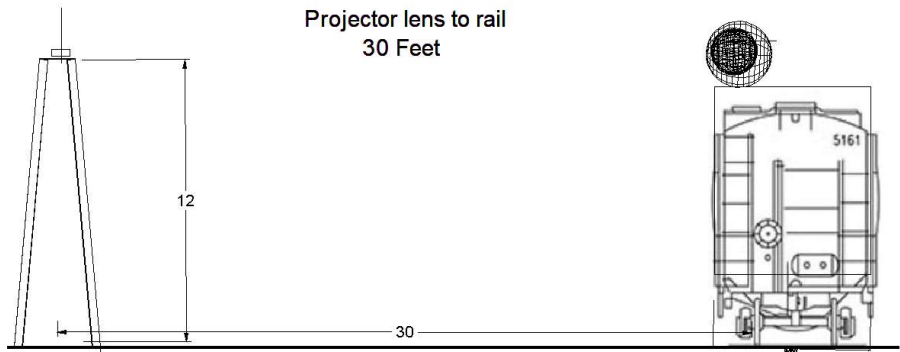




Singing pumpkins description 10-28-24



The singing pumpkins display uses a video projector to display the singing pumpkins faces on three plastic pumpkins mounted on the platform on the roof of the Gift Shop box car. The audio sound track is fed to a receiver/amplifier in the gift shop. The loud speakers are mounted on the outside of the gift shop car.

The audio and video clips are played from a Raspberry Pi mini-computer installed next the projector. The center of the stand needs to be 30 feet from the rail as shown above.

A 75 foot power cable needs to be run from to provide the power to the projector.

Before removing power to the system, use the projector remote to turn off the projector lamp and let the system run for 5 minutes to cool down the projector lamp.

The projector used is a Panasonic PT-F300U.

The link to the projector manual is:

<https://dunn-itvideoservicesllc.yolasite.com/resources/NHVRYPanasonic%20Projector.pdf>

An audio cable from the receiver/amplifier must also be run to the top of the stand.

A flood light is needed to dimly illuminate the orange faces of the pumpkins. Otherwise, they are totally black at night..



A raspberry Pi -0 mini computer plays the 13 mp4 files continuously.

Parts required:

- Raspberry Pi-0 computer.
- SD card with mp4 files and python program installed
- HDMI mini adapter
- HDMI to VGA convertor with audio.
- 5 volt power supply
- VGA cable
- Audio cable to amplifier
- Video projector
- Remote Control
- Power cord
- Extension cord
- Power strip
- Fill lamp

The mp4 files were purchased from the website:

[Singing Pumpkins Animations](https://www.thesingingpumpkin.com/singing-pumpkins)



A power cable needs to be run from the AC receptacle on the north end of the gift shop car, routed up the ladder and flown over top the tripod tower.

An audio cable hanging on the roof of the gift shop car needs to be extended and run along with the power cable to the tripod tower and plugged into the audio output of the Raspberry Pi. This cable is connected to the VIDEO 2 input port of the amplifier.

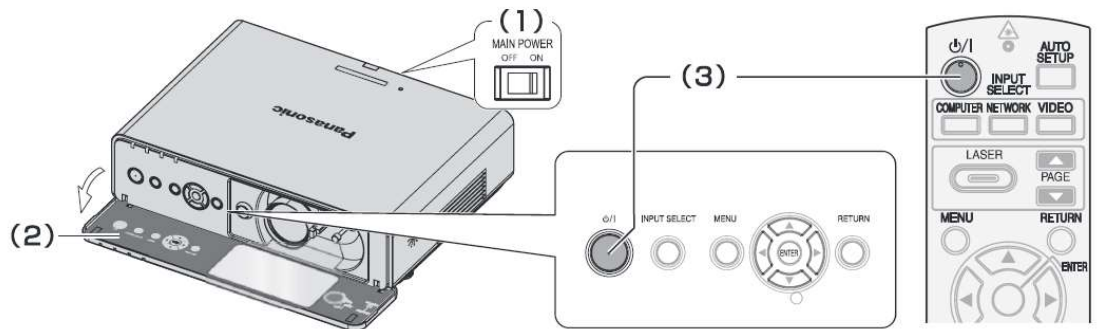
A flood light is needed to provide fill light on the pumpkins. Without the flood light you cannot see the pumpkins when it gets dark.



The audio amplifier is on a shelf in the gift shop. The wires for the audio input and the speaker outputs are routed through two holes drilled into the side of the gift car above the door.

Note 1:

In 2024, if the power is applied to the system during the day and the projector lamp is off, it may not respond to turning on the lamp by either the inferred remote or the button on the front panel.



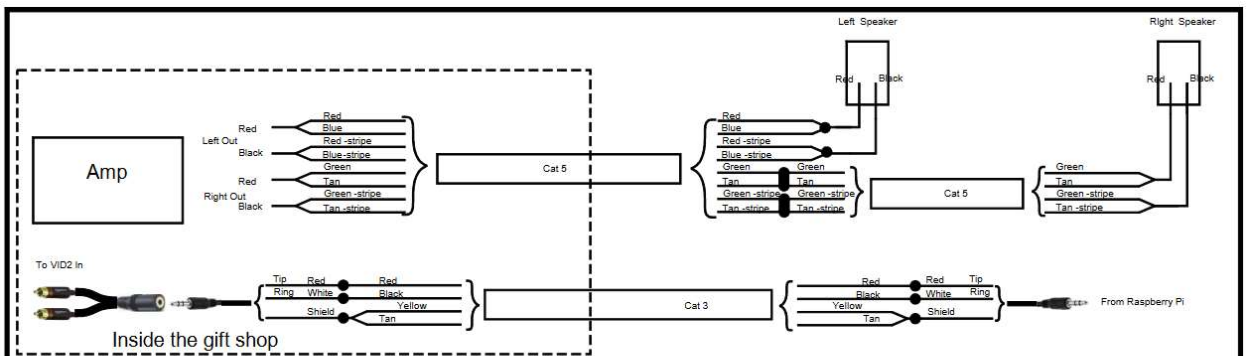
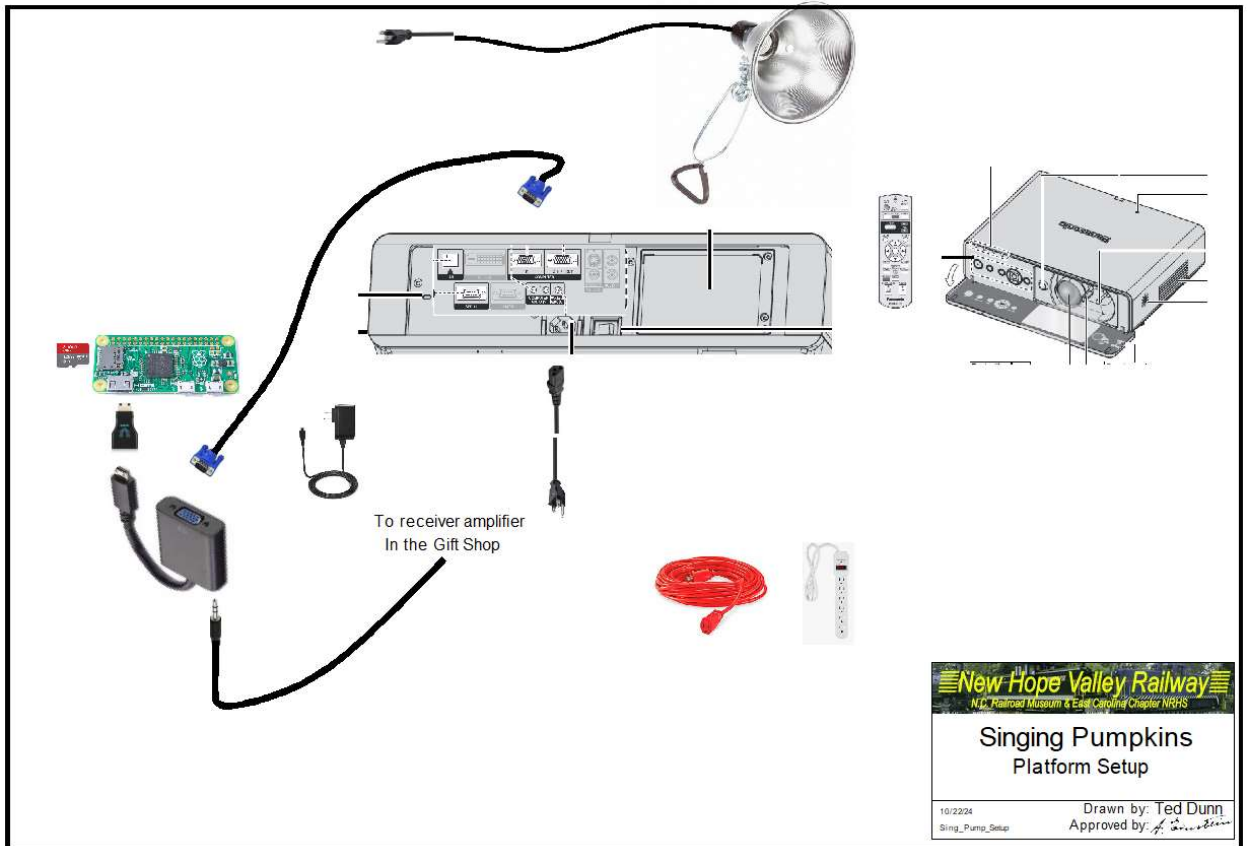
1. Switch the **MAIN POWER** on.
 - The power indicator lights up in red.
2. Open the front panel cover.
 - This is not necessary in remote control operation.
3. Press the power button.
 - The power indicator lights up in green after flashing for a while.
 - The **STARTUP LOGO** will be displayed on the screen. See "STARTUP LOGO" on page 39.

To revive the system, turn off the main power switch, wait 5 seconds and turn it back on.

NOTE 2:

The 12.5 mm audio connector plugged into the HDMI to VGA convertor can sometimes be intermittent.





This remote did not have an AUX button
The CD/DVD port did not work

Set the receiver to TUNER at 88.5 MHz for announcer.
Set the receiver to VID2 for Singing Pumpkins.
Kenwood receiver VR707



New Hope Valley Railway
N.C. Railroad Museum & East Carolina Chapter NRRHS

Receiver in Gift Shop

PA Gift Shop
10/15/24

Drawn by: Ted Dunn
Approved by: [Signature]



The python file that us used to play the singing pumpkin clips is: ***singing_pumpkins_play.py***

```
import os
from time import *
import time
a=1
while a==1:
    os.system('omxplayer -o both --vol 600 Red_Riding_Hood.mp4')
    print'Red Riding Hood'
    print
    os.system('omxplayer -o both --vol 600 Riders_in_the_Sky.mp4')
    print'Riders in the Sky'
    print
    os.system('omxplayer -o both --vol 0 Blue_Moon.mp4')
    print'Blue Moon'
    print
    os.system('omxplayer -o both --vol 0 Bohemian_Rhapsody.mp4')
    print'Bohemian Rhapsody'
    os.system('omxplayer -o both --vol 0 Day-O.mp4')
    print
    print
    os.system('omxplayer -o both --vol 0 Dead_Mans_Party.mp4')
    print 'Dead Mans Party'
    print
    os.system('omxplayer -o both --vol 0 Devil_Went_Down_to_Georgia.mp4')
    print'Devil Went Down to Georgia'
    print
    os.system('omxplayer -o both --vol 0 Ghostbusters.mp4')
    print'Ghostbusters'
    print
    os.system('omxplayer -o both --vol 0 Jump_In_the_Line.mp4')
    print 'Jump the Line'
    print
    os.system('omxplayer -o both --vol 0 Monster_Mash.mp4')
    print'Monster Mash'
    print
    os.system('omxplayer -o both --vol 0 Somebodys_Watching_Me.mp4')
    print'Somebodys Watchaing Me'
    print
    os.system('omxplayer -o both --vol 0 Thriller.mp4')
    print'Thiller'
    print
    os.system('omxplayer -o both --vol 0 Werewolves_of_London.mp4')
    print'Werewolves of London'
    print
    print'_____ '
```

≡ *New Hope Valley Railway* ≡

